

PHY2250 - Electronics & Circuit Theory, Spring '09 Final Exam

Name: _____

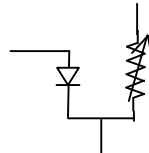
Turn off (OFF) all cell phones
Answer on these papers

Part I (72 points): Circle the "best" answer. No need to show your work.

- (4 points) The smallest unit of an element is: (circle one)
 - An electron
 - A molecule
 - A compound
 - An atom
- (4 points) In a series RC circuit:
 - The current flowing in the circuit lags the voltage across the capacitor by 90 degrees.
 - The circuit current and resistor voltage are in phase with one another
 - The current leads the voltage by 45 degrees
 - All of the above
 - Both (a) and (b), but not (c)
- (4 points) What are the majority carriers in an N-type semiconductor?
 - Positrons
 - Electrons
 - Holes
 - Protons

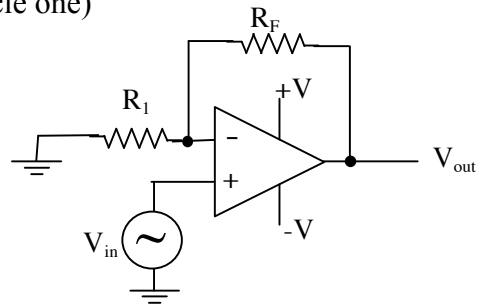
4. (4 points) The following diagram of a diode and variable resistor can serve as a model of what electronic component? (circle one)

- capacitor
- op-amp
- transistor
- regulator



5. (4 points) The op-amp circuit shown the right is a/an (circle one)

- Closed-loop noninverting amplifier
- Active high-pass filter
- Open-loop signal generator
- Closed-loop inverting amplifier



Los Angeles, CA. In a drug deal gone horribly wrong, rising hip-hop star "KillahWatt" lodged his "grill" across the output terminals of a step-down transformer putting out 20A at 240V RMS.

- (4 points) Calculate the *average* power coursing through his grill.
 - 12 W
 - 120 W
 - 2880 W
 - 4800 W
- (4 points) Calculate the impedance of said grill.
 - 2 Ω
 - 8 Ω
 - 12 Ω
 - 4800 Ω

Nashville, TN. Honky-tonk legend Dwayne Rufus McGathright decides to lick the two contacts of a parallel plate capacitor. "The dang thing's only been charged to 5 Volts!" he exclaims with confidence. Unfortunately it is a 1F capacitor.

8. (4 points) Calculate the charge on the capacitor prior to said licking.

- a) 0.2 C b) 1 C
c) 5 C d) 10 C e) None of the above

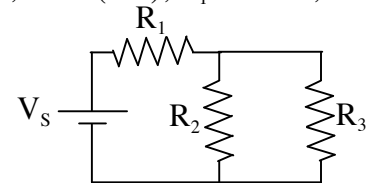
9. (4 points) If McGathright's tongue's resistance is 10,000 Ω , calculate the time it takes for the capacitor to discharge to 1V.

- a) 4.5 hours b) 7.6 hours
c) 2.2 days d) Over a week e) None of the above

Springfield, USA. Three lovable, misfit squirrels bridge the two wires of a DC high-voltage line, forming a circuit as shown below. The three squirrels, "Blacky," "Sparky" and "Crispy" are represented as resistors R_1 , R_2 and R_3 , respectively. In this circuit, $V_s = 10,000\text{V}$ (DC), $R_1 = 40\text{k}\Omega$, $R_2 = 30\text{k}\Omega$ and $R_3 = 60\text{k}\Omega$...

10. (4 points) Find the power dissipated by Blacky's body.

- a) 1670 W b) 3300 W
c) 6700 W d) 8600 W e) None of the above



11. (4 points) A transformer has 100 turns on the primary and 400 turns on the secondary. If a 10V signal is found on the secondary, what is the voltage on the primary?

- a) 2 V b) 2.5 V
c) 4 V d) 6 V

Two sine wave signals of frequency 500 Hz and amplitude 2V are added together, but one is time-delayed by 500 μ s with respect to the other.

12. (4 points) What is the phase shift between the two signals?

- a) 45° b) 90°
c) 180° d) 270° e) None of the above

13. (4 points) What is the amplitude of the resulting summed signal?

- a) 0V b) 1.4V
c) 2.8 V d) 4 V e) None of the above

14. (4 points) The capacitor any condenser microphone has a variable plate separation. The voltage across the capacitor is kept at a constant 48V by phantom power. If one such a capacitor in its "default" separation has a capacitance of 13 μ F and then the plate separation *decreases* by a factor of 2 in 9ms, find the current that flows.

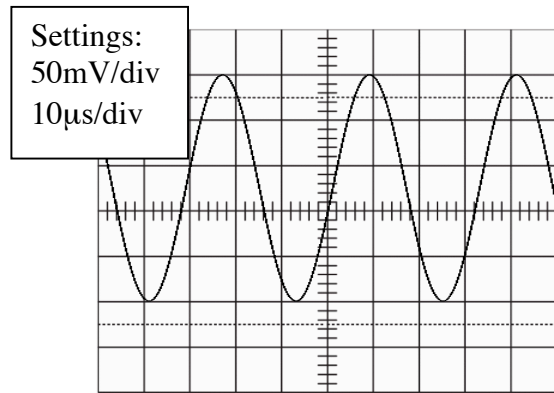
- a) 70 mA b) 140 mA
c) 35 mA d) 22 mA e) None of the above

15. (4 points) Rob G. has a favorite resistor to use, with the color bands Red, Orange, Blue and Gold. What is the value of Rob's favorite resistor (with tolerance)?

- a) 12 M $\Omega \pm 5\%$ b) 120 k $\Omega \pm 5\%$
c) 120 k $\Omega \pm 10\%$ d) 23 M $\Omega \pm 5\%$ e) None of the above

Regarding the following oscilloscope trace, what are...

16. (4 points) the amplitude
 a) 50 mV
 b) 125 mV
 c) 150 mV
 d) 100 mV
17. (4 points) the frequency
 a) 8.4 μ s
 b) 16 μ s
 c) 32 μ s
 d) 154 μ s

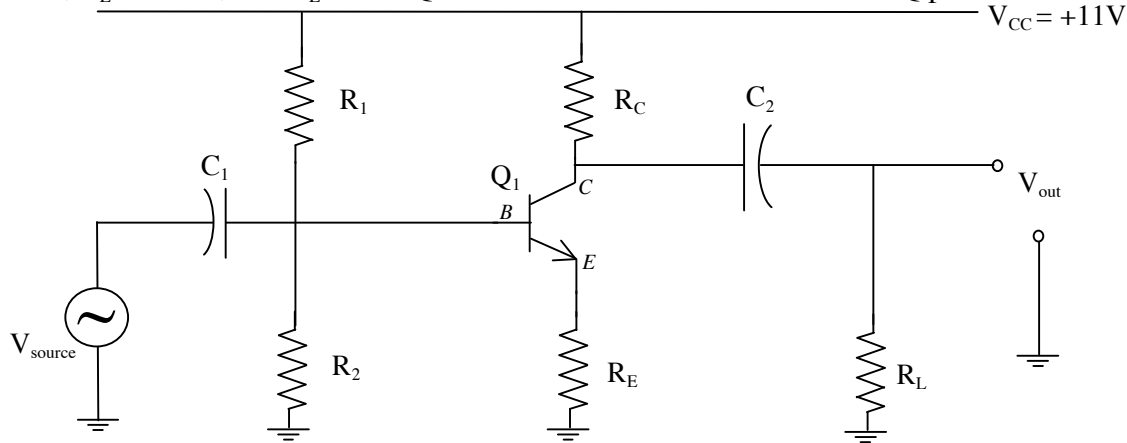


18. A fully-rectified sine wave signal is run through a capacitive filter. If the peak voltage is 9V, what is the DC output voltage?
 a) 4.8 V
 b) 5.7 V
 c) 6.4 V
 d) 7.6 V

Part II: Short Answer (28 points): Answer the following and show any relevant work.

19. (6 points) Describe the difference(s) and similarity(/ies) between "resistance" and "impedance".

"A Simple Amplifier. Again!" In the following circuit, use the values $R_1 = 8k\Omega$, $R_2 = 4k\Omega$, $R_C = 200\Omega$, $R_E = 100\Omega$, and $R_L = \infty$. Questions 20 to 22 deal with the DC "Q point" of the amplifier...

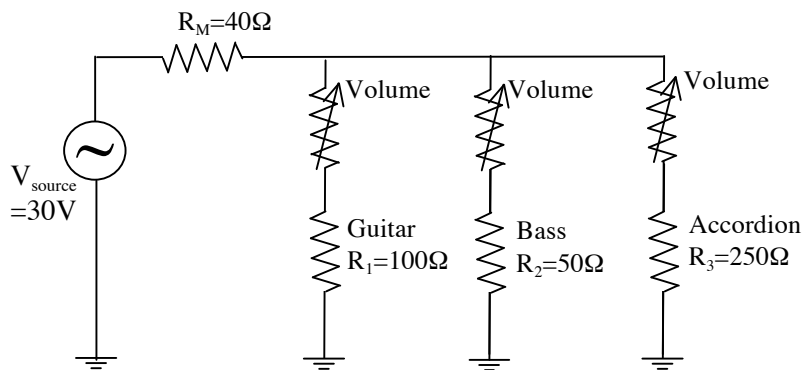


20. (4 points) What is the value of V_B ?

21. (4 points) What is the value of I_E ?

22. (4 points) If $\beta_{DC} = 50$, what is V_C ?

23. (10 points) In the following "pseudo-cue-system," three instrument channels are placed in parallel, and each channel has a volume knob (represented by variable resistors).



- a) Say the guitar channel's volume knob is "all the way on", i.e. zero resistance, and the other two volume knobs are turned "off," i.e. "infinite" resistance. What is...
- ...the total current?
 - ...the current that flows through the guitar channel?
 - ...the voltage across the guitar?

- b) Now suppose the bass channel's knob is also turned all the way on....
- What is the total current?
 - What is the current through the guitar channel?
 - What is the voltage across the guitar?

Extra Credit:

10. (2 points) Which recording industry pioneer "accidentally" created the first diode, but could not see any practical application of it?